

PEW / PES

Signal Light



LED



85dB/m

Electronic Sound 1

Ø82

IP55

NPN
Open collector

PES: IP55 with rubber gasket SZ-210 (IP23 without)
PEW: IP54 (IP23 without lead wire)

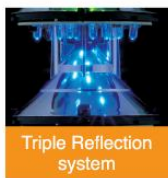


Dome-type LED Signal Light featuring enhanced visibility and maintenance-free operation.

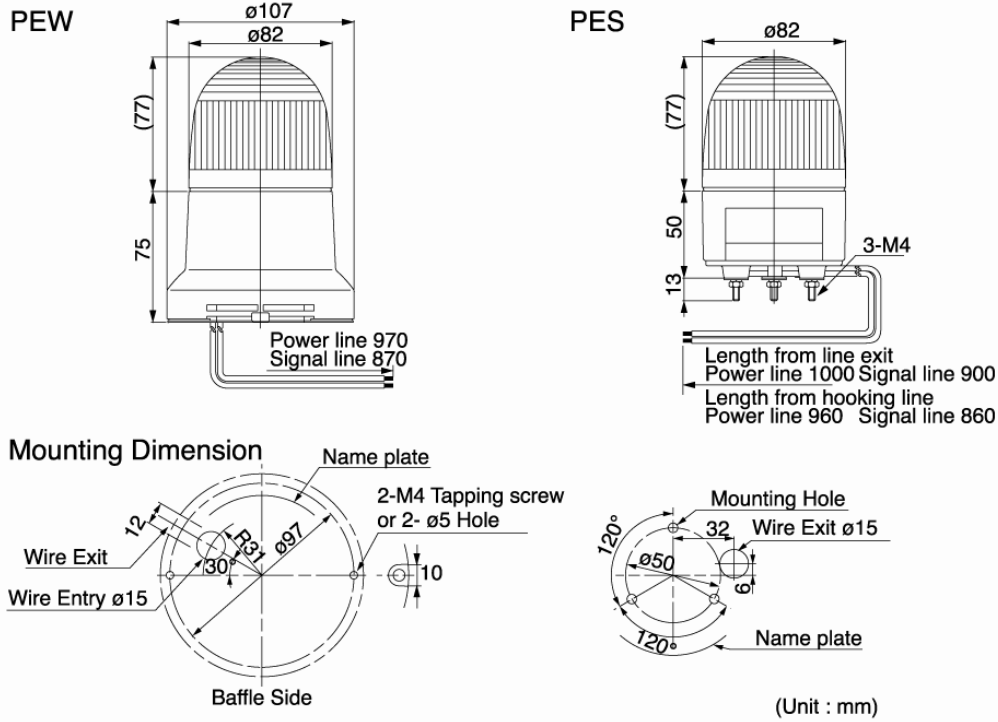
- Newly Developed Triple-reflection System: For enhanced visibility and low power consumption.
- Flashing Cycles: 3 patterns — 60/120/180 fpm, selectable by a switch.
- FB type: Built-in audible alarm with adjustable volume up to 85dB (at 1m) for PEW-B type.
- Maintenance-free: LED's power consumption is approx. half of incandescent bulb type (100V/200V AC).
- Installation: Indoors—upright, inverted, sideways; Outdoors—upright only.
- Dome: Superior weather-resistant and light translucent acrylic resin.
- PEW: IP54 (IP23 without lead wires); PES: IP55 (with optional rubber gasket SZ-210, IP23 without).
- CE Compliance: AC/DC 24V type ONLY.
- Available Colors: Red, Amber, Green, Blue.

Available Special Order

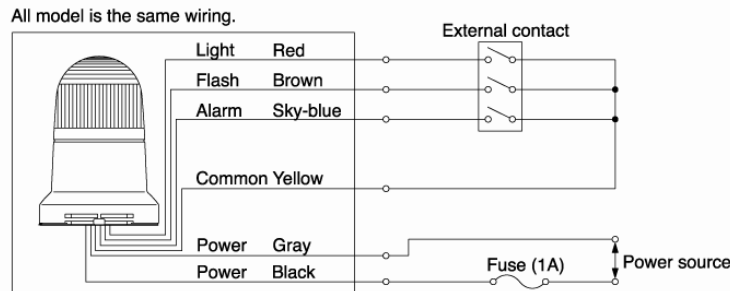
- Silver Body.
- IP65: PEW type only.
- UL type (E215660).



Dimensions (PEW,PES)



Wiring Diagram



* Skyblue line exists on buzzer type only.

Transistor Operation Example

| | | | |
|------------------|------------------|---------------|----------------|
| Transistor | NPN | Voltage proof | $V_c \geq 35V$ |
| Current capacity | $I_c \geq 100mA$ | Current leak | $I_L \leq 1mA$ |

PEW/PES type

| Model | Rated Voltage | Power Consumption | Frequency of flash | Mass |
|------------------------|---------------|----------------------------|-----------------------------|--------|
| PEW-24 R/Y G/B | AC/DC24V | 2.5W | Approx. 180 times/minute | 0.32kg |
| PES-24 R/Y G/B | | 1.5W | | 0.24kg |
| PEW-24B R/Y G/B | 2.5W | 0.34kg | | |
| PEW-100 R/Y G/B | AC100V | 5.8W | | 0.52kg |
| PES-100 R/Y G/B | | 3.3W | 0.43kg | |
| PEW-100B R/Y G/B | 5.8W | Approx. 60 times/minute | 0.54kg | |
| PEW-200 R/Y G/B | AC200V | 5.6W | 0.52kg | |
| PES-200 R/Y G/B | | 3.2W | | 0.43kg |
| PEW-200B R/Y G/B | | 5.6W | | 0.54kg |

How to order

